



3G-SDI 1x4 Distributor

CB-8010



The CB-8010 is a miniature and low-cost 1x4 3G/HD/3G-SDI re-clocking distribution amplifier. Among the 4 outputs, the SDI out 2 and SDI out 4 can support ASI signal. Besides, this distribution amplifier can be powered by DC or Micro USB. Featuring four separately buffered SDI outputs, the CB-8010 provides automatic input detection, re-clocking and cable equalization.

Connections

SDI Video Input

1xSD/HD/3G-SDI(75Ω BNC)

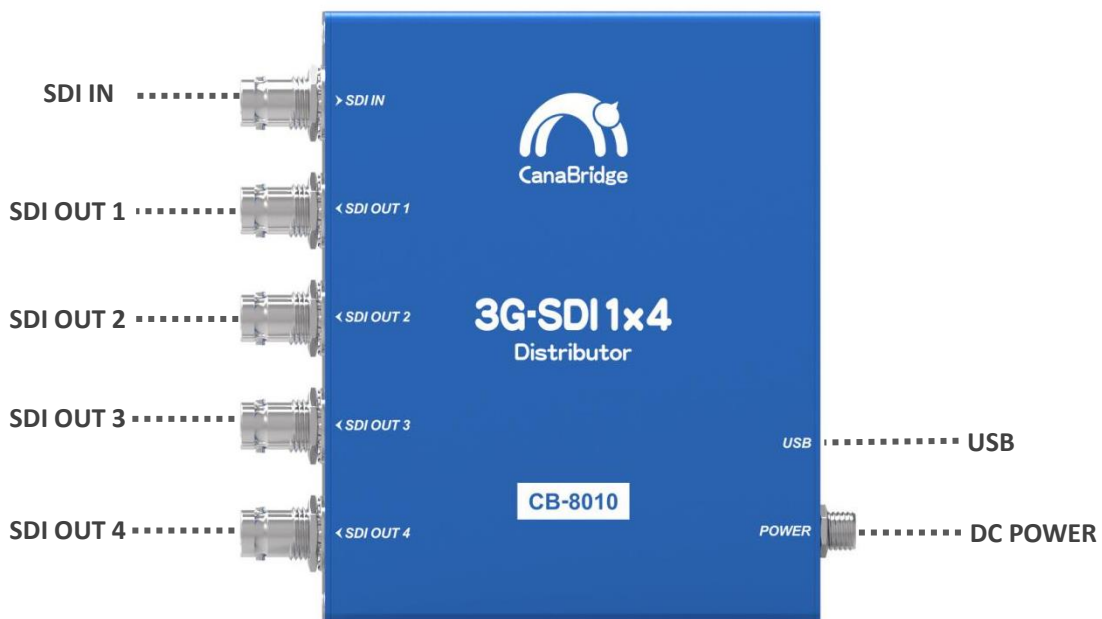
SDI Video Output

4xSD/HD/3G-SDI(75Ω BNC)

Output 2 and 4 support ASI signal

Micro USB

Power and software update



Functions and Standards

SDI Video Rate

SD/HD/3G-SDI

SDI Auto Switching

Automatically detects SD, HD and 3G-SDI

SDI Standard

SMPTE ST 259, SMPTE ST 292-1, SMPTE ST 424, DVB-ASI

Power

Power Supply

Micro USB or Threaded locking DC connector

Voltage Range

USB 5V
DC 5-17V

Power Consumption

1.5W (Max)

Physical Specifications

Dimension

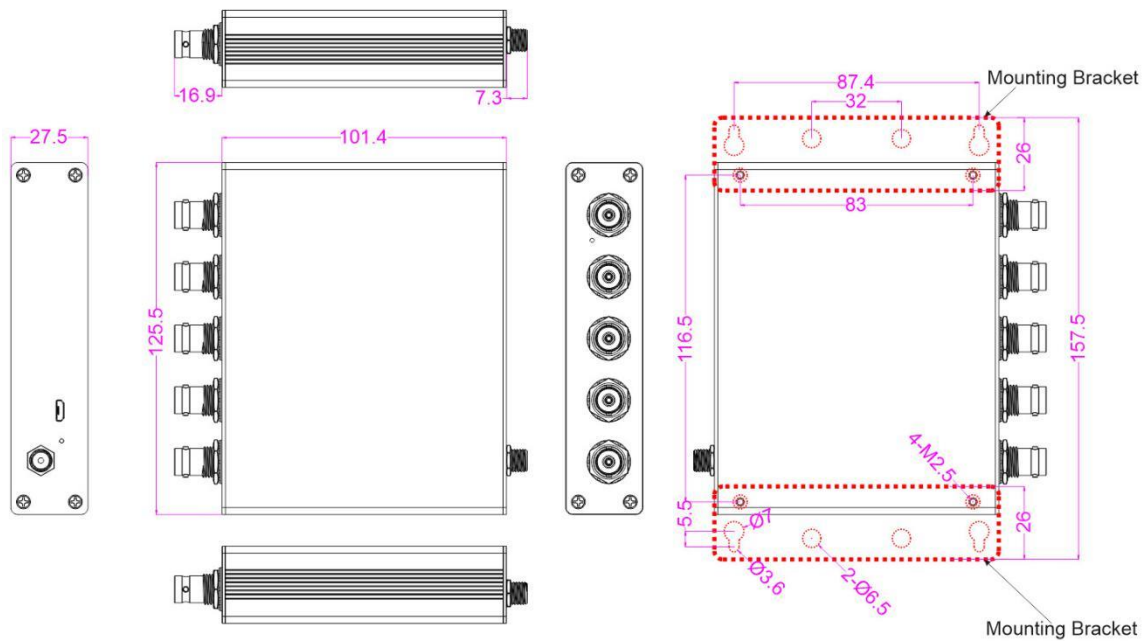
125.5×101.4×27.5mm

Net Weight

310g

Gross Weight

920g



Environmental Specifications

Operating Temperature

0°C~40°C

Storage Temperature

-30°C~70°C

Relative Humidity

0%~90% non-condensing

What's Included

CB-8010 (3G-SDI 1×4 Distributor)

2pcs Mounting Brackets with 4 screws (15g/2pcs)

DC 12V Universal Power Supply with 5 International Socket Adapters

Note: Specifications are subject to change without notice.